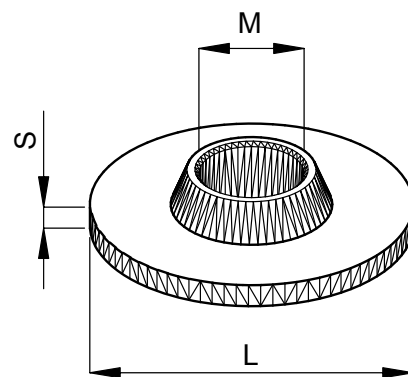


## Platines inox

Platines inox rondes



CODE	DIMENSIONS			CAPACITÉ DE CHARGE
	L	S	M	Newton
MA-PI17564	40	3	M12	5 000
MA-PI17565	40	3	M16	8 000
MA-PI17566	40	3	M20	10 000
MA-PI17569	42	3	M12	5 000
MA-PI17570	42	3	M16	8 000
MA-PI17571	42	3	M20	10 000
MA-PI17579	48	3	M12	5 000
MA-PI17580	48	3	M16	8 000
MA-PI17581	48	3	M20	10 000
MA-PI17589	50	3	M12	5 000
MA-PI17590	50	3	M16	8 000
MA-PI17591	50	3	M20	10 000
MA-PI17599	60	3	M12	5 000
MA-PI17600	60	3	M16	8 000
MA-PI17601	60	3	M20	10 000